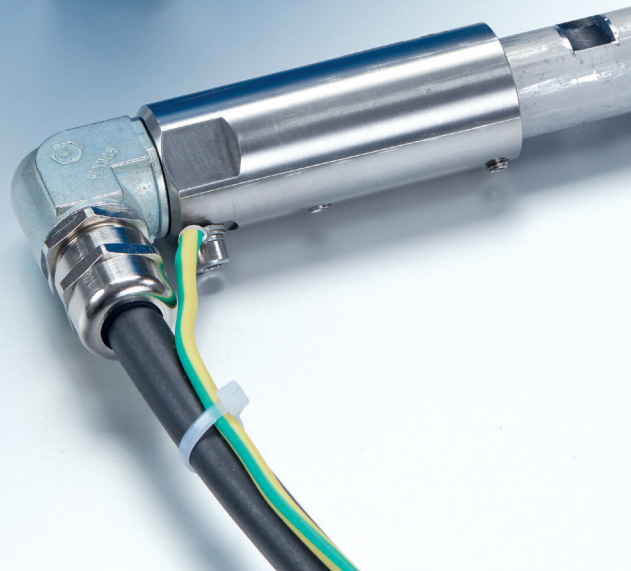
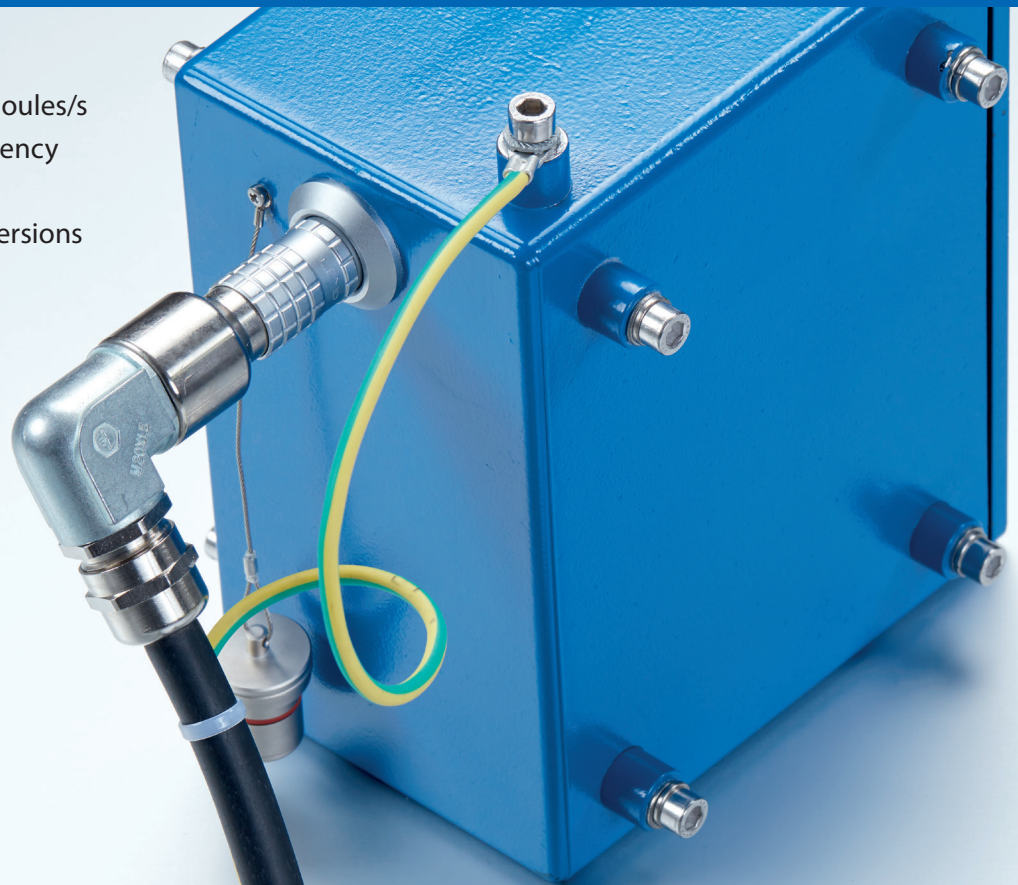


D-HG 500

High energy ignition system

Reliable ignition of gas and liquid fuels

- Safe ignition with 112 joules/s
- Variable ignition frequency and ignition time
- ATEX/IECEX certified versions available



Features

- **25% more ignition energy than the D-HG 400**
 - Ignition power 112 joules per second
 - Ignition frequency configurable at site
 - 1 ... 20 sparks per second
- **Modern electronics design**
 - Microcontroller monitored ignition
 - Sustained short-circuit proof
 - Electronics protection in case of defect ignition tip
- **Wide temperature range**
 - High energy ignition device –40 ... +80 °C
 - Ignition tips up to 1000 °C
- **Relay contacts for ignition feedback and ready for ignition**
- **Optional retraction unit for the retraction of the ignition tip from the hot area**

Benefits

- **Reliable and safe ignition**
 - High ignition power for direct ignition of gas and prepared oil
 - Application-optimised ignition tips for gas, oil and high pressure applications up to 25 bar
- **Certified for the applications**
 - ATEX, CE, IECEx
 - Ex d IIC and Ex de IIC
- **Flexible system design**
 - Exchangeable electronic insert for the compact and the separate version
 - Standardised ignition lances, ignition tips and high voltage cables
- **Cost savings**
 - Low-wear ignition tips
 - Wear-free ignition device (thyristor controlled)

Technical data

High energy ignition device: D-HG 500	
Ignition power	112 joules/s
Ignition energy	5,6 joules/spark
Ignition frequency*	1 ... 20 sparks/s (1 ... 60 s) 1 ... 5 sparks/s (>60 s)
Ignition voltage	1500 V
Connections	D-HG 500-50/60: 1x device connection D-HG 500-51/61: 1x device connection + button D-HG 500-52/62: 2x device connection (relay contacts separate)
Relay contact	2x change-over contact Ignition feedback signal, ready for ignition Max. 250 V~, 4 A, min. 24 V=, 100 mA
Interface	USB for service and configuration of parameters, requires DURAG D-ESI 100 Software
Electrical data	100 ... 120 V~ or 220 ... 240 V~ 50 ... 60 Hz, 200 VA
Ambient conditions	Housing 5x/6x: –40 ... +80 °C Housing 77/78Ex: –40 ... +55 °C Housing 94Ex: –40 ... +60 °C
Degree of protection	Housing 5x/6x: IP65 Housing 77/78Ex: IP66 Housing 94Ex: IP66, NEMA 4.4X
Weight	Housing 5x/6x approx. 4.3 kg Housing 77/78Ex approx. 16 kg Housing 94Ex approx. 18 kg
Explosion protection	Housing 77/78Ex : II 2 GD Ex d IIC T5 Gb Ex tb IIIC T100°C Db Housing 94Ex: II 2 G Ex d IIC T6 Gb, II 2 D Ex tb IIIC T80 °C Db

* Factory settings 20 sparks/s

** The average lifetime is >1.000.000 sparks when using the recommended ignition tip.

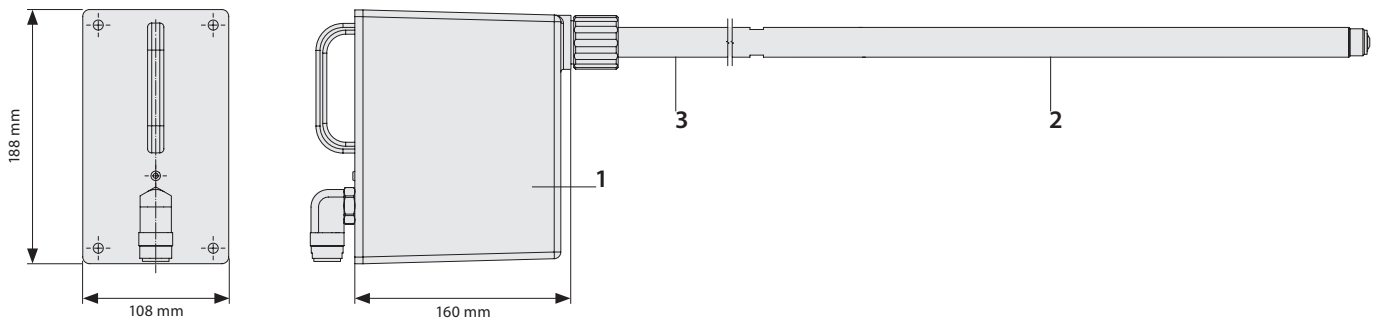
High temperatures, the ignition under water and in oil can reduce the lifetime.

*** Other lengths and diameters on request

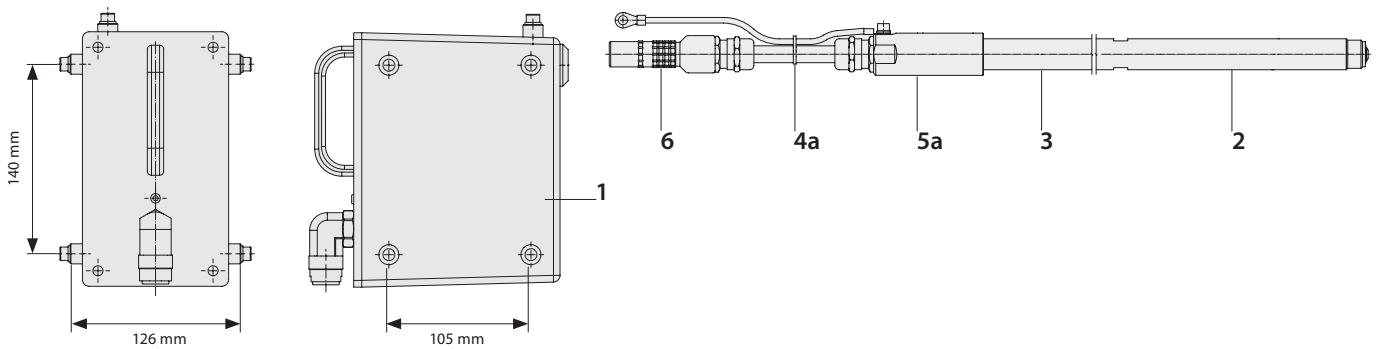
Ignition tip: D-ZL ZSP	
Application	Recommended ignition tip for Gas ignition: D-ZL ... AL02 Oil ignition: D-ZL ... SCxx
Lifetime**	>1.000.000 sparks
Connections	Ø 22 mm: Ignition lance (D1) Ø 17.2 mm : Ignition device (A1), high voltage cable (B2)
Length***	Ø 22 mm: 593 mm Ø 17.2 mm: 0.5 ... 2 m
Ambient conditions	Version NT: 600 °C, <2 min: 800 °C Version HT: 1000 °C
Ignition lances: D-ZL A1-xxx, D-ZL B2-xxx Connections: Ignition device (A1), high voltage cable (B2)	
Length	Ø 22 mm: 0.7 ... 15 m (max. 4 m without separation) Ø 25 mm: 0.7 ... 15 m (max. 4 m without separation)

High voltage cable: D-ZL 521	
Compatible with D-HG 500-6x	
Ambient conditions	–40 ... +85 °C
Length	Standard: 3, 5, 6, 10, 15, 20 m Customised lengths up to 50 m
High voltage cable Ex: D-ZL 441Ex Compatible with D-HG 500-77/78Ex, D-HG 500-94Ex	
Ambient conditions	–40 ... +80 °C
Length	Standard: 3, 5, 6, 10, 15, 20 m Customised lengths up to 50 m
Explosion protection	II 2 G Ex db IIC T6 Gb, II 2 D Ex tb IIIC T80°C Db

D-HG 500-5x SYSTEM | COMPACT VERSION

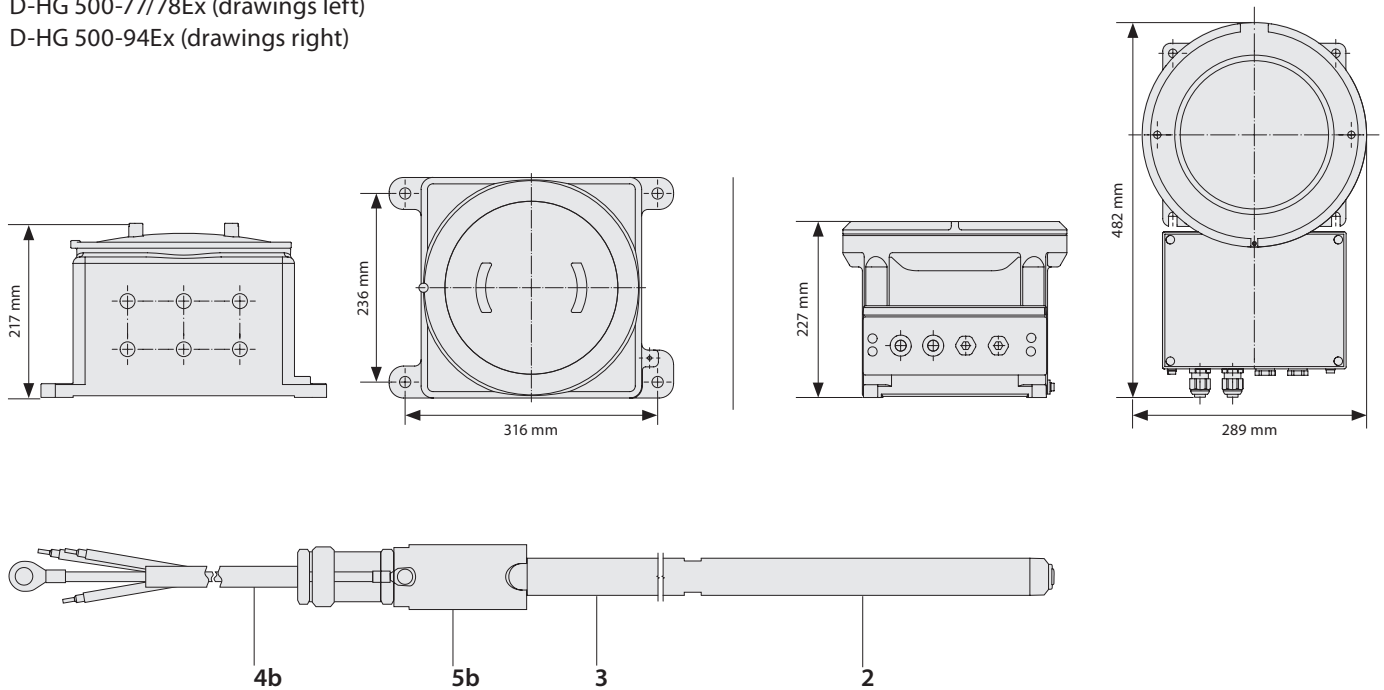


D-HG 500-6x SYSTEM | SEPARATE IGNITION LANCE AND HIGH VOLTAGE CABLE



D-HG 500 EX SYSTEM | HAZARDOUS AREAS

D-HG 500-77/78Ex (drawings left)
 D-HG 500-94Ex (drawings right)



- | | | |
|--------------------------------|----------------------------------|----------------------------|
| 1 High energy ignition device | 4a High voltage cable D-ZL 521 | 5a Connection housing |
| 2 Ignition tip (Ø 17.2; 22 mm) | 4b High voltage cable D-ZL 441Ex | 5b Connection housing Ex-d |
| 3 Ignition lance (Ø 22; 25 mm) | | 6 High voltage plug (LEMO) |

DURAG GROUP

DURAG GROUP
Kollastraße 105
22453 Hamburg, Deutschland
Tel. +49 40 55 42 18-0
Fax +49 40 55 42 54
info@durag.com

www.durag.com