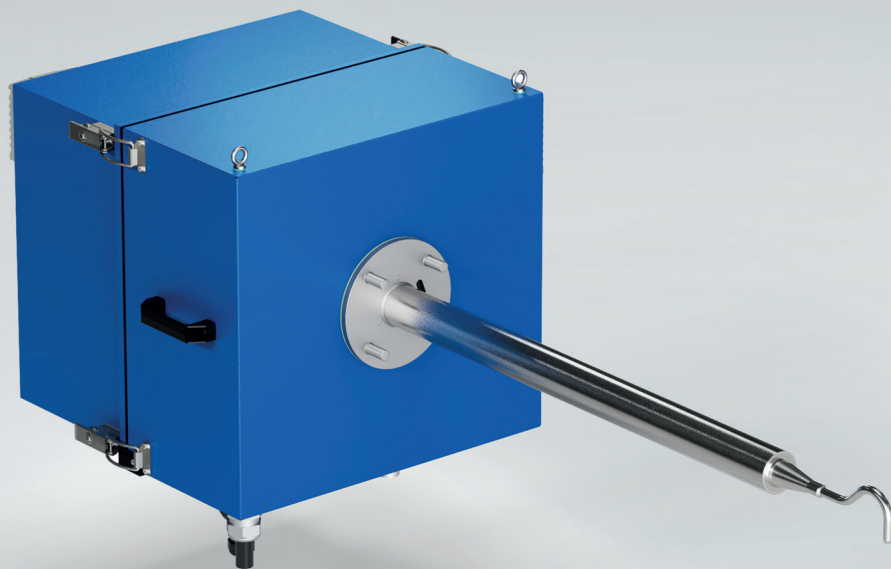


D-R 909

Extractive dust measuring system

Continuous dust measurement for small to medium concentrations

- QAL1 certified in accordance with EN 15267
- Measurement in moist and wet flue gases
- Automatic control functions
- High availability and low service and operating costs



FEATURES

- Continuous dust measurement in wet gases
- Smallest certified measuring range 0 ... 7.5 mg/m³
- Single-sided installation
- Automatic control functions

TECHNICAL DATA

Measuring principle	Forward scattering, extractive, continuous, single-sided installation
Measuring variable	Scattered light units, calibratable as dust concentration in mg/m ³
Measuring range	<ul style="list-style-type: none"> • Minimum 0 ... 5 mg/m³ • Maximum 0 ... 200 mg/m³
Certified measuring ranges	0 ... 7.5 mg/m ³ ; 0 ... 15 mg/m ³ ; 0 ... 45 mg/m ³ ; 0 ... 100 mg/m ³
Certificates	QAL1, MCERTS**
Standards	IED 2010/75/EU, EN 15267-1/-2/-3, EN 14181, 13th/17th/27th/30th/44th BImSchV, TA Luft
Interface*	<ul style="list-style-type: none"> • Analog input: 1x 4 ... 20 mA, maximum 250 Ω, potential-free • Analog output: 1x 4 ... 20 mA, maximum 500 Ω, potential-free • Digital output: 2x NC/NO, maximum 60 V_{AC}, 30 V_{DC}, 0.5 A • Modbus RS 485 RTU • USB
Nominal voltage	230 V _{AC} , 47 ... 63 Hz, LNPE
Power consumption	Maximum 2,300 VA
Ambient conditions	<ul style="list-style-type: none"> • Installation location: Indoor or outdoor installation*** • Temperature: -40 ... +60 °C • Humidity: 0 ... 100% relative humidity
Operating conditions	In duct: <ul style="list-style-type: none"> • Temperature: 0 ... 160 °C • Relative humidity: 0 ... 100%, maximum 70 g/m³ liquid water • Relative pressure: -50 ... +50 hPa (depending on flue gas velocity and operating mode) • Dust concentration: 0 ... 200 mg/m³

BENEFITS

- Suitable for official emission monitoring
- Reliable measurement of small dust concentrations
- Simple and flexible installation
- Low service and operating costs

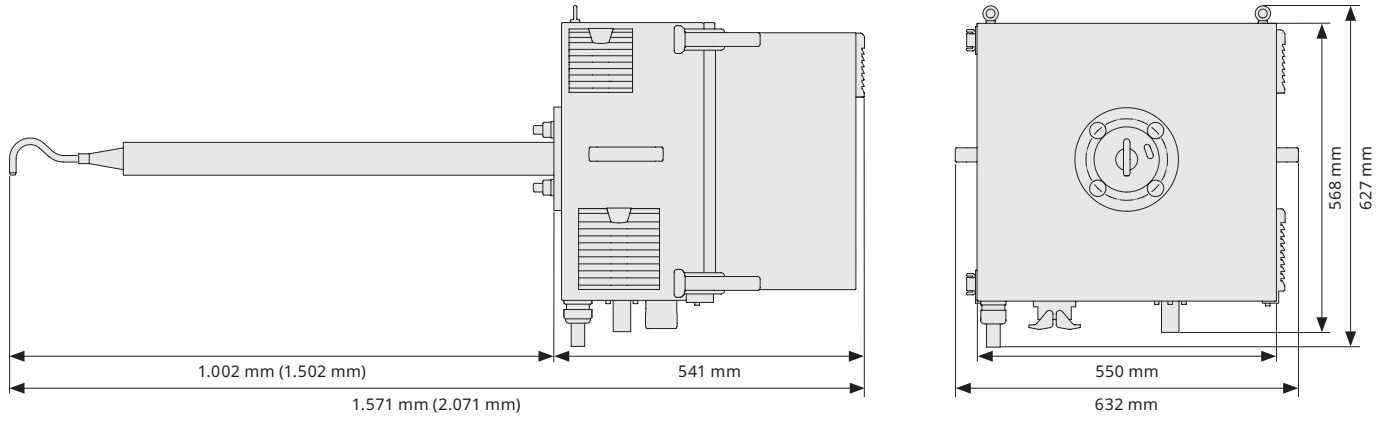
Dimensions	<ul style="list-style-type: none"> • Inner duct diameter: > 0.2 m • Wall thickness: Maximum 1.2 m
Degree of protection	IP54 in accordance with EN 60529
Light source	Laser, class 2 in accordance with EN 60825-1, < 1 mW at 650 nm
Connections	Process: Flange, DN80 PN6
Explosion protection	N/A
Operation and display	<ul style="list-style-type: none"> • Status LED • D-ESI 100 software**** • Or D-ISC 100 operating unit
Material	<ul style="list-style-type: none"> • Housing: Stainless steel A2, powder-coated • Sampling probe: Stainless steel 1.4404, others available on request
System components	<ul style="list-style-type: none"> • Measuring unit • Supply unit • Cable set • D-ISC 100 operating unit (optional) • D-ESI 100 software****
Variants	<ul style="list-style-type: none"> • Length of sampling probe: 1,000 mm / 1,500 mm • Alignment of probe tip: Flow up/right/left • Cable set: 3 m / 6 m / 9 m
Accessories	<ul style="list-style-type: none"> • Weld-in pipe: 200 mm / 500 mm / 700 mm • Rack for supply unit • Adapter flange



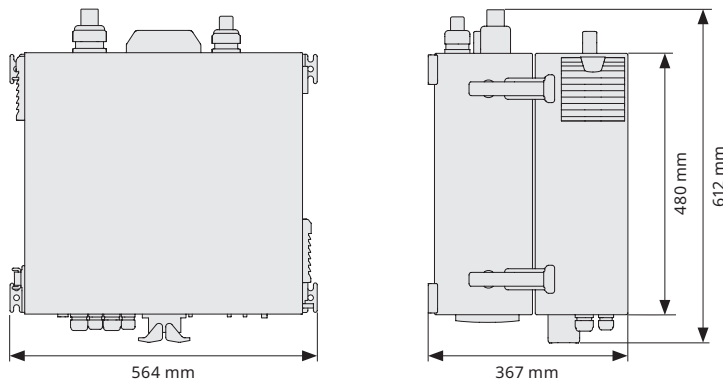
From left to right: D-R 909 supply unit, D-R 909 measuring unit, D-ISC 100 (optional) including cable set

* Additional interfaces with D-ISC 100 operating unit
 ** In preparation
 *** Weather protection is required for outdoor installation
 **** Enables remote access via web interface, requires PC with Windows operating system

D-R 909 M | DIMENSIONS AND WEIGHT OF MEASURING UNIT

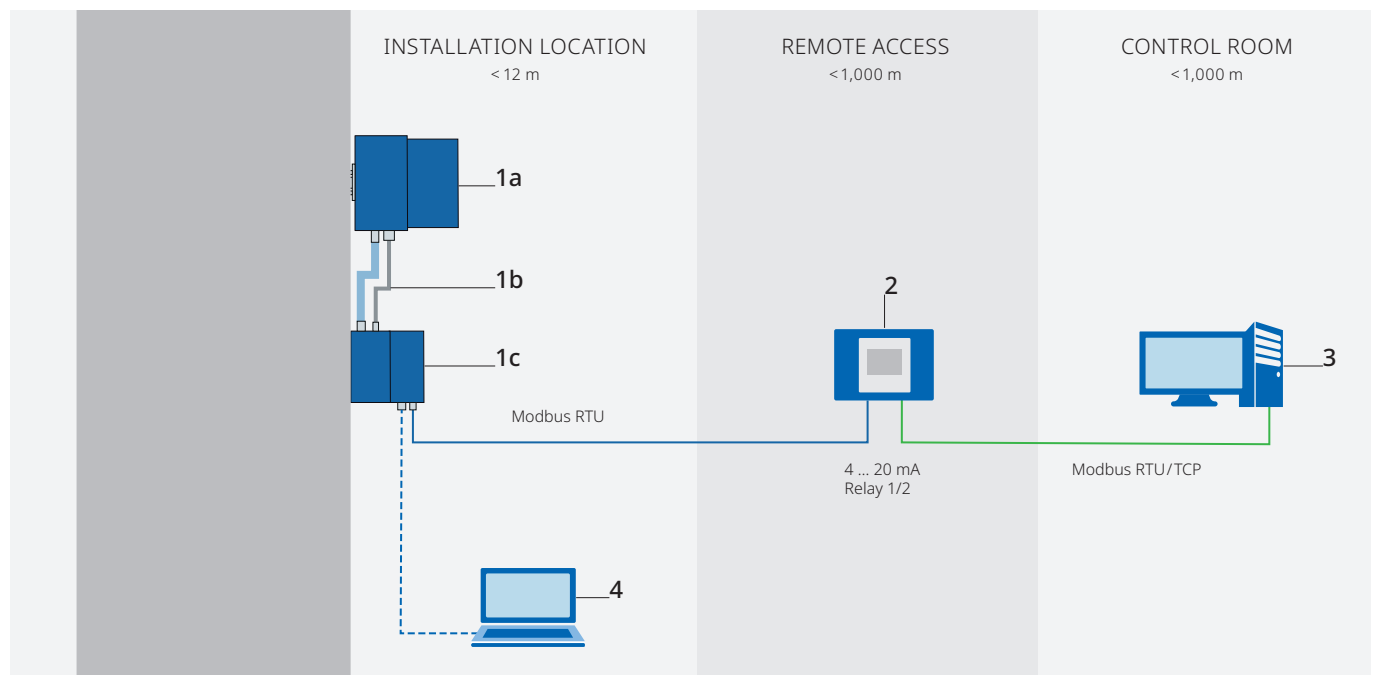


D-R 909 SU | DIMENSIONS AND WEIGHT OF SUPPLY UNIT



D-R 909		
M (1,000 mm)	M (1,500 mm)	SU
Approx. 45 kg	Approx. 47 kg	Approx. 45 kg
Weld-in pipe		
200 mm	500 mm	700 mm
5 kg	9 kg	12 kg

EXAMPLES OF SYSTEM CONFIGURATIONS* | STANDARD + OPTIONAL WITH REMOTE ACCESS



Dust measuring system

- 1a Measuring unit
- 1b Cable set
- 1c Supply unit

- 2 Operating unit
- 3 Emission evaluation system

- 4 PC with Windows operating system and software

* Maximum permitted cable lengths; distance between measuring unit and supply unit limited by cable set

DURAG GROUP

DURAG GROUP

Kollaustr. 105
22453 Hamburg, Germany
Phone +49 40 554218-0
info@durag.com

DURAG.COM